



ROSS

Manufacturing, LLC

Innovation in Ventilation™

Introducing the NEW

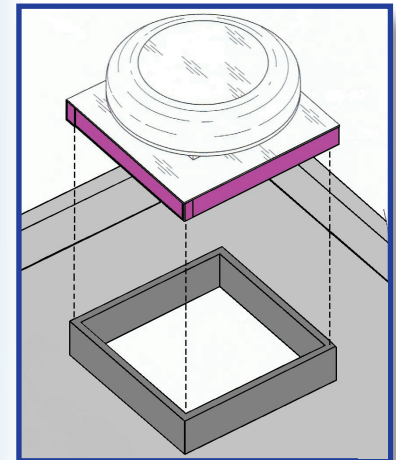
Ross® 150CM Roof Vent®

✓ **Save
Time & Money!**



- Ross 150CM is a patented product (U.S. Patent No. 8,650,833, U.S. Pat. No. 7,554,124 & U.S. Pat. No. 7,780,510) providing ventilation for flat roof applications.
- Ross 150CM is TDI Approved (TDI# RV-83) & has passed Miami-Dade County TAS 100(A) 110 MPH Wind and Water test.
- Ross 150CM is Class 4 hail resistant (UL2218) & is a **GREEN** product.
- Ross 150CM is available in White or Black.

✓ **Easy
to Install!**



25 3/4" x 25 3/4" inside dimensions

